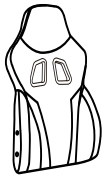


ASSEMBLY INSTRUCTIONS

Parts



1 Backrest



2 Seat



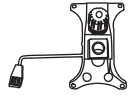
3 Base



4 Armrests x2



5 Gas lift



6 Control unit



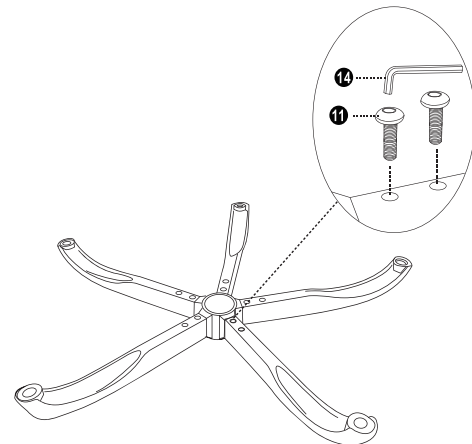
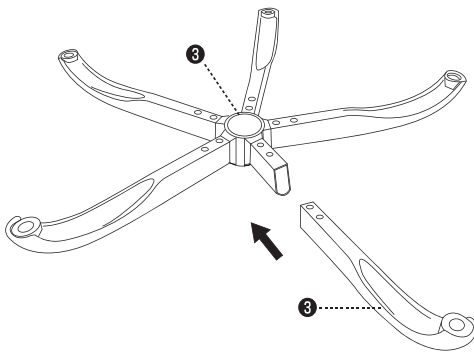
7 Gas lift cover



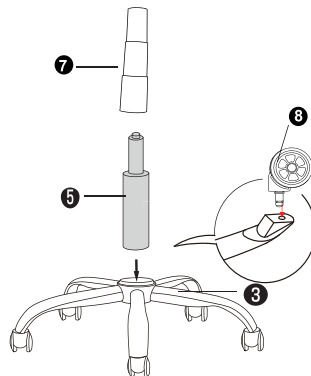
8 Casters x 5

	9	M6x25mm x8
	10	M6x20mm x4
	11	M6x10mm x10
	12	M6x18mm x4
	13	x8
	14	x1

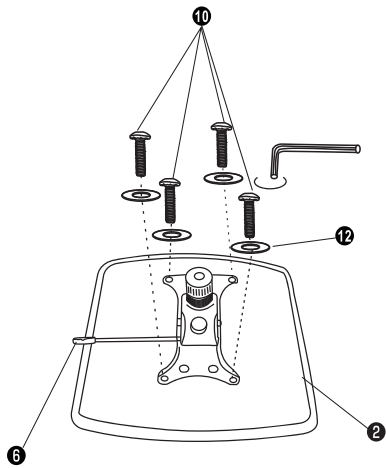
1 Insert the legs into the base center and fix them with M6*20 screws.



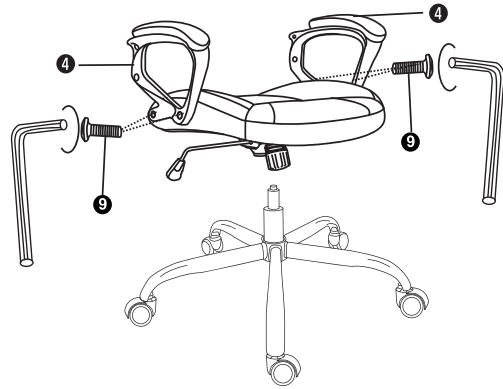
2 Place the chair base upside down, install the caster wheels and the gas lift on the base.



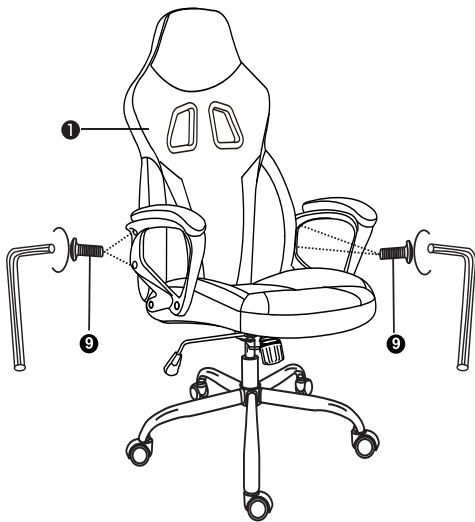
3 Fix the control unit to the base of the seat



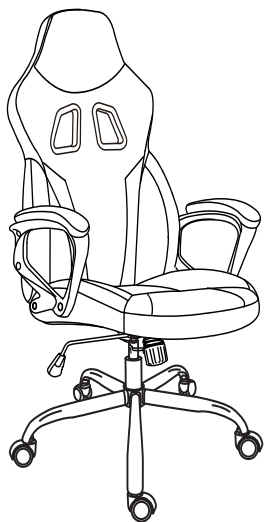
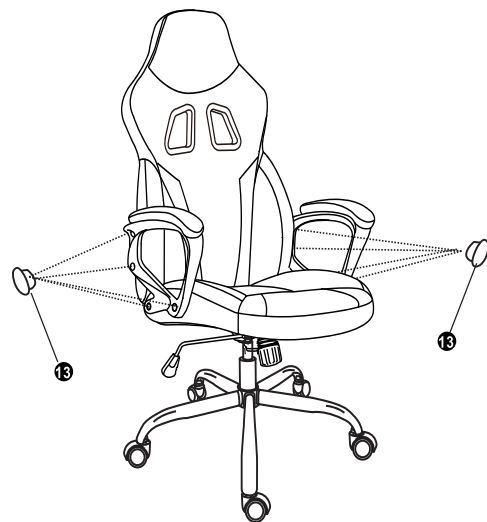
4 Insert the gas lift into the control unit and fix the bottom of the armrests (without tightening the screws)




5 Fix the top of the armrests to the backrest and tighten all the screws



6 Cover the screws with the black caps



 Only trained personnel may replace or repair seat height adjustment components with energy accumulators.

CONTACT & SUPPORT

EN FR ES NL DE IT

SUBSONIC

314, allée des noisetiers
69760 Limonest - France

contact@subsonic.com
www.subsonic.com

