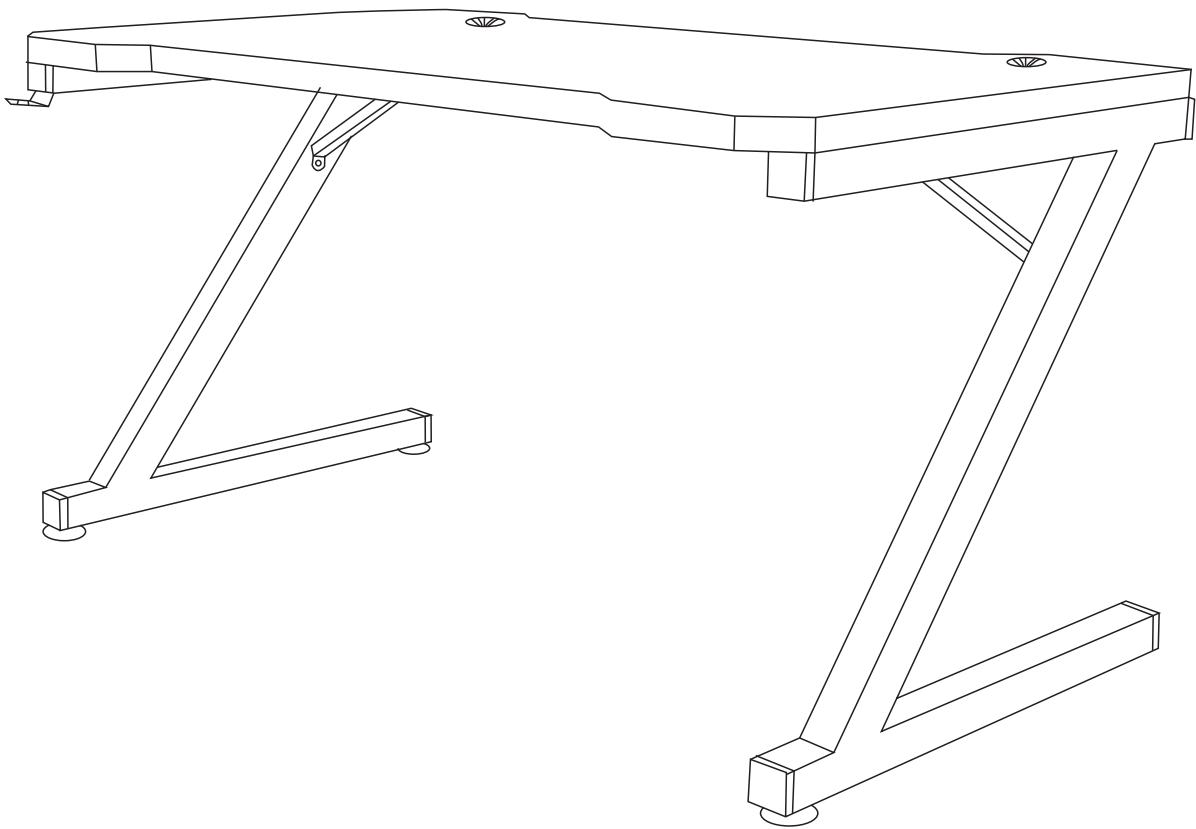
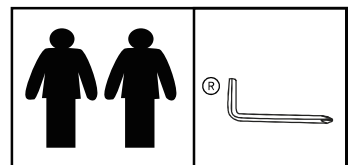


ASSEMBLE INSTRUCCATION

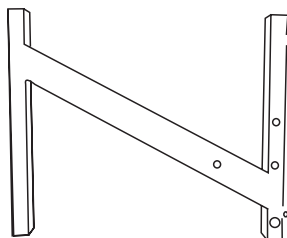


Warning:

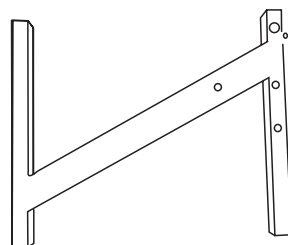
1. Static loading capacity: 220lb
2. Dynamic loading capacity: 11-18b
3. There is a potential risk of the desk falling down to the ground if not used properly. Please do not leave the kids alone with the desk.



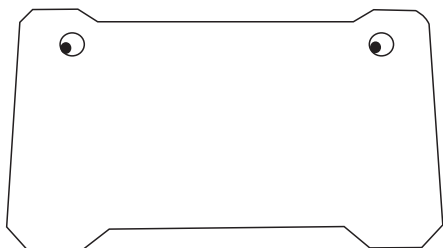
Ax1



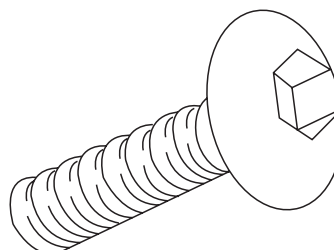
Bx1



Cx1

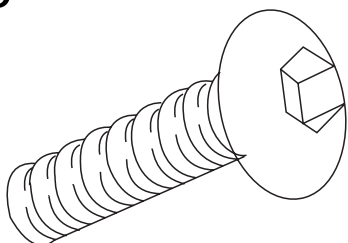


Dx4



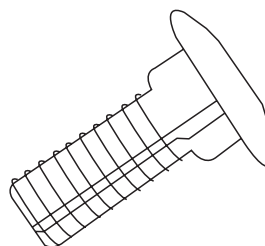
M8*14

Ex16



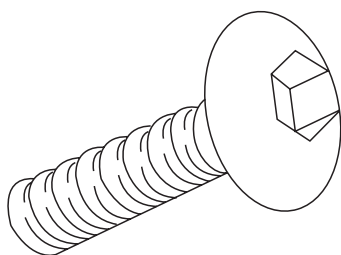
M6*16

Fx1



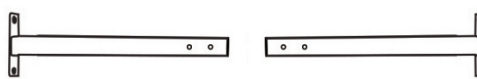
M6*18

Gx1

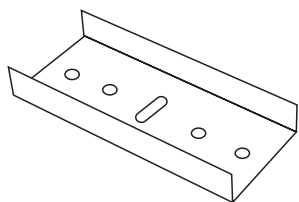


M8*30

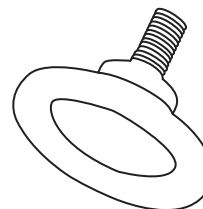
Hx2



Ix1

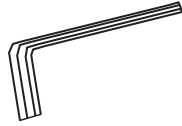


Jx4



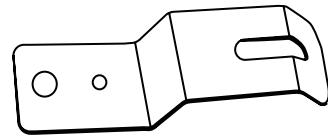
FOOT NAILS

Kx1

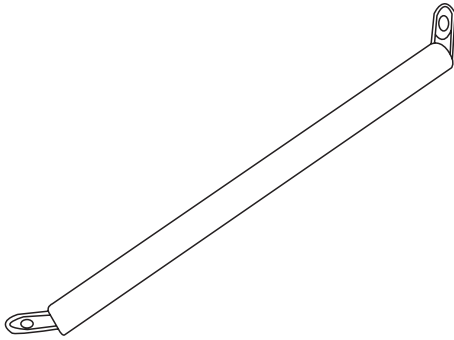


M5 Spanner

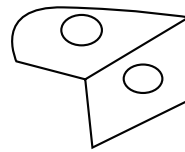
Lx1



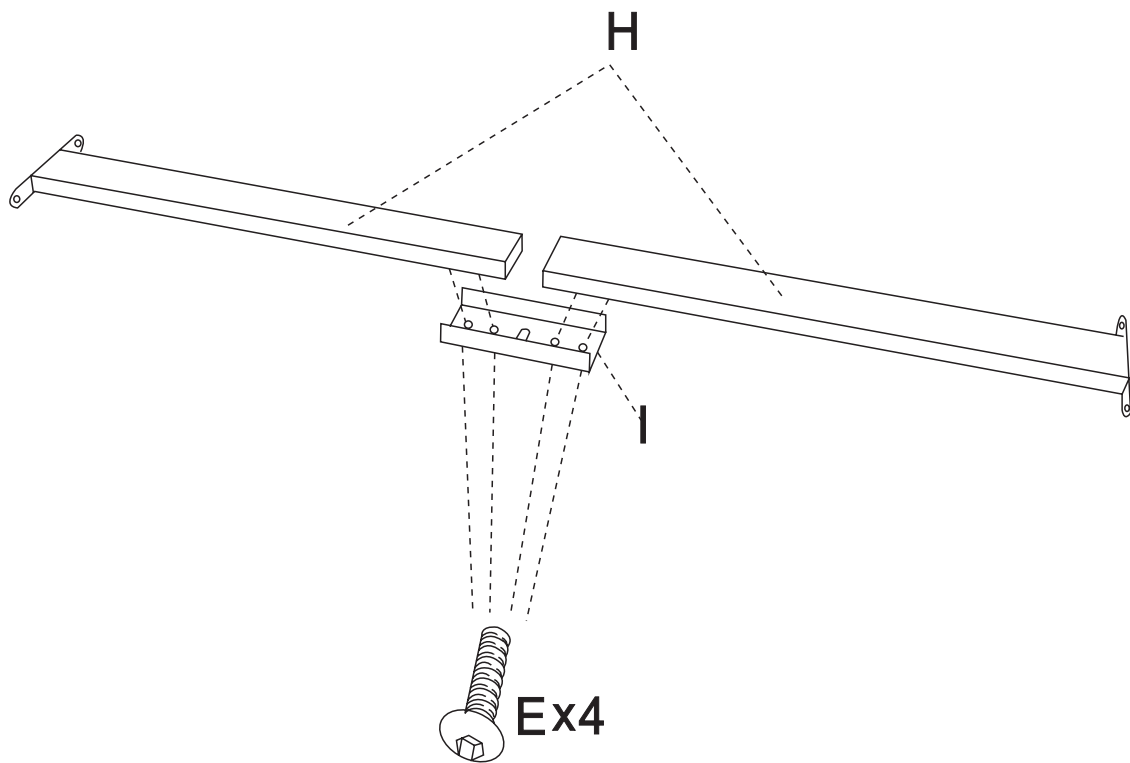
Px2



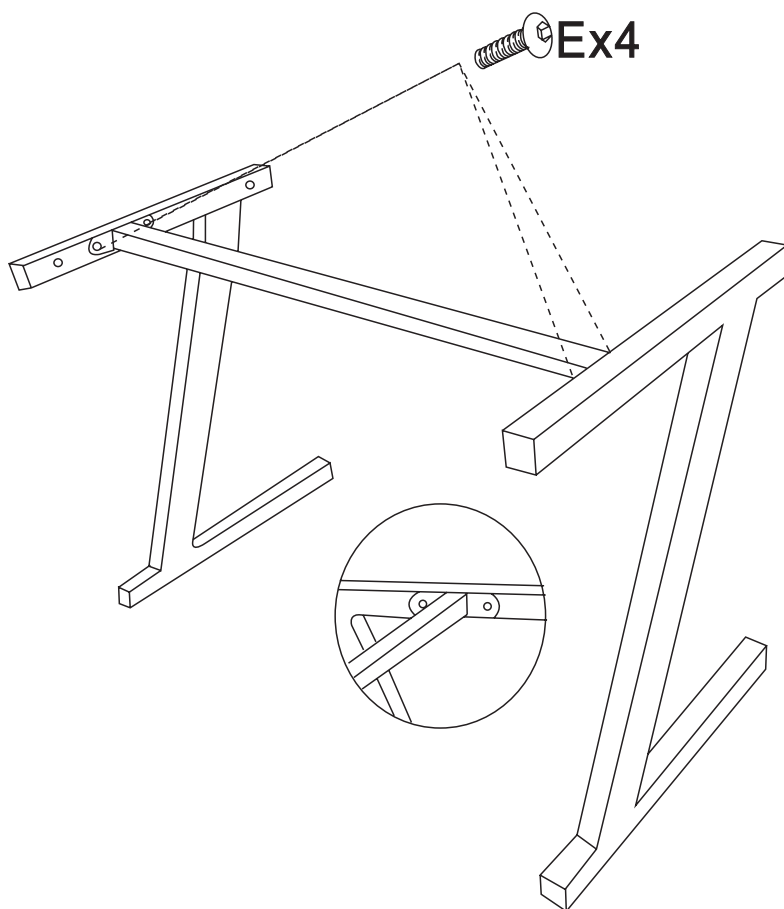
Nx4



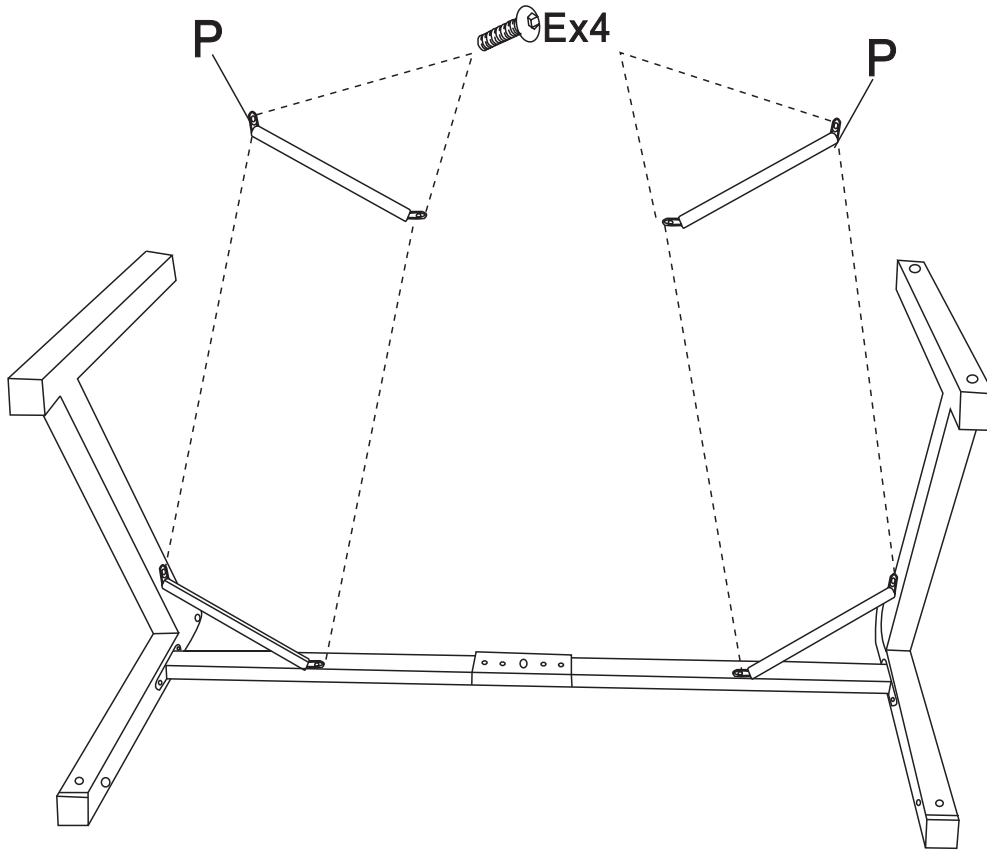
1



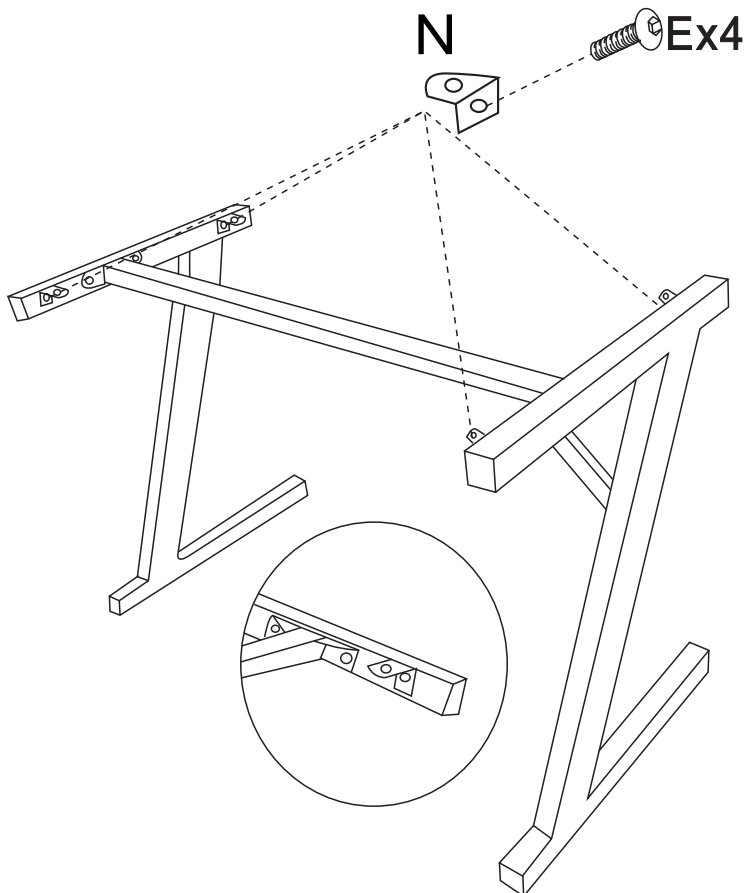
2



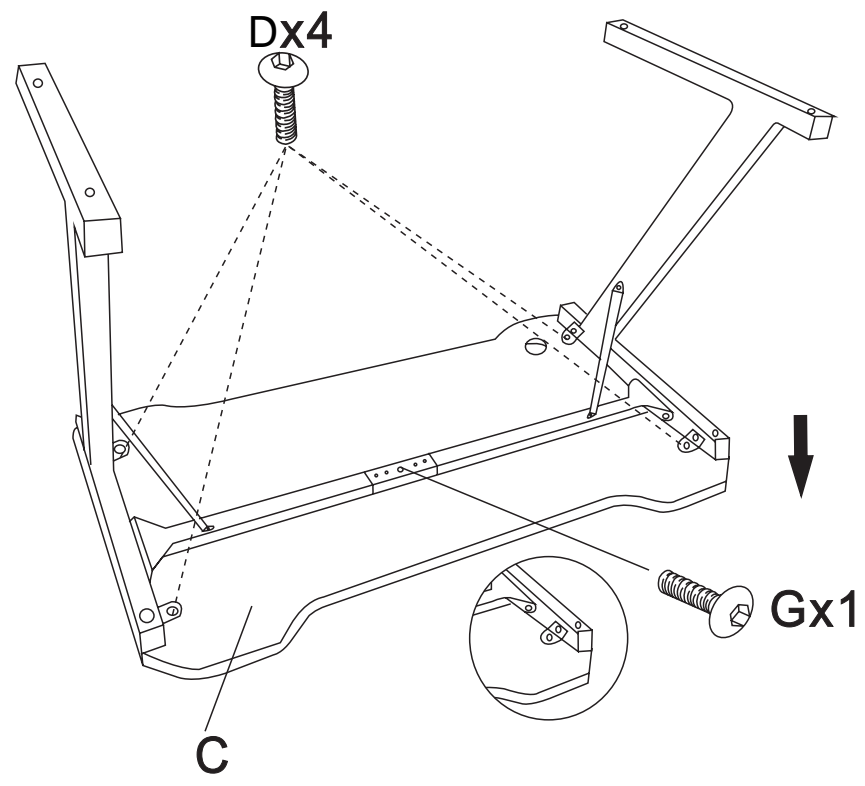
3



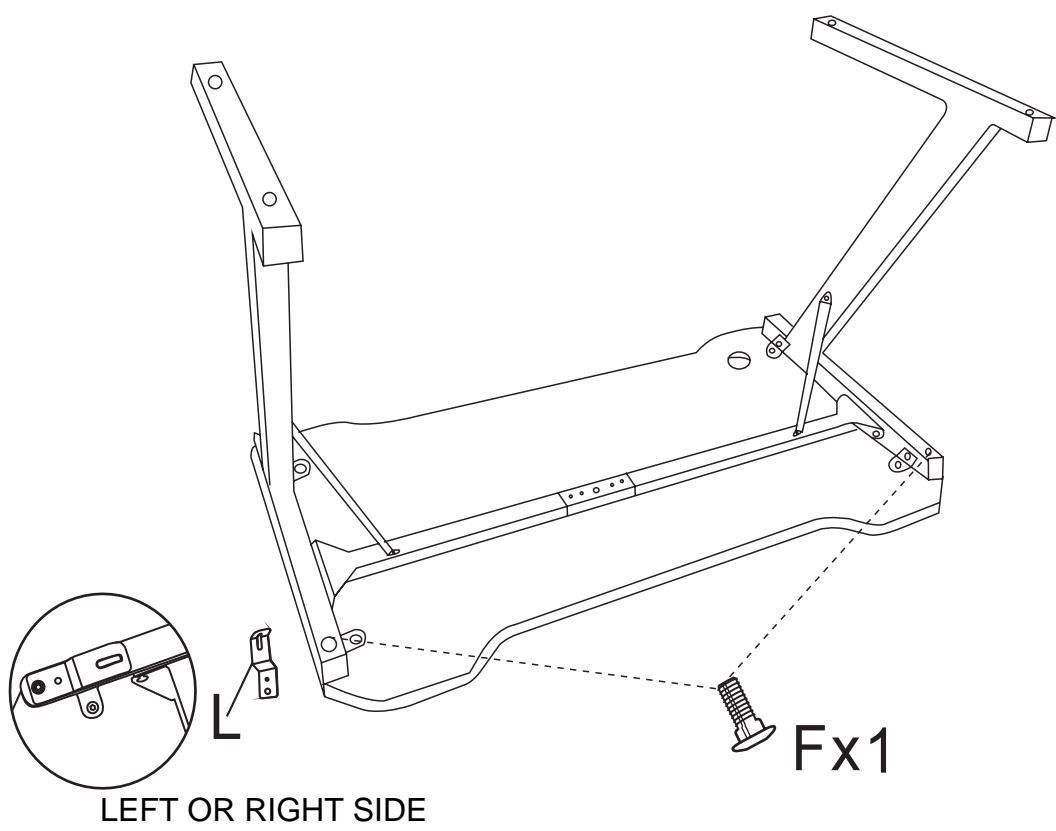
4



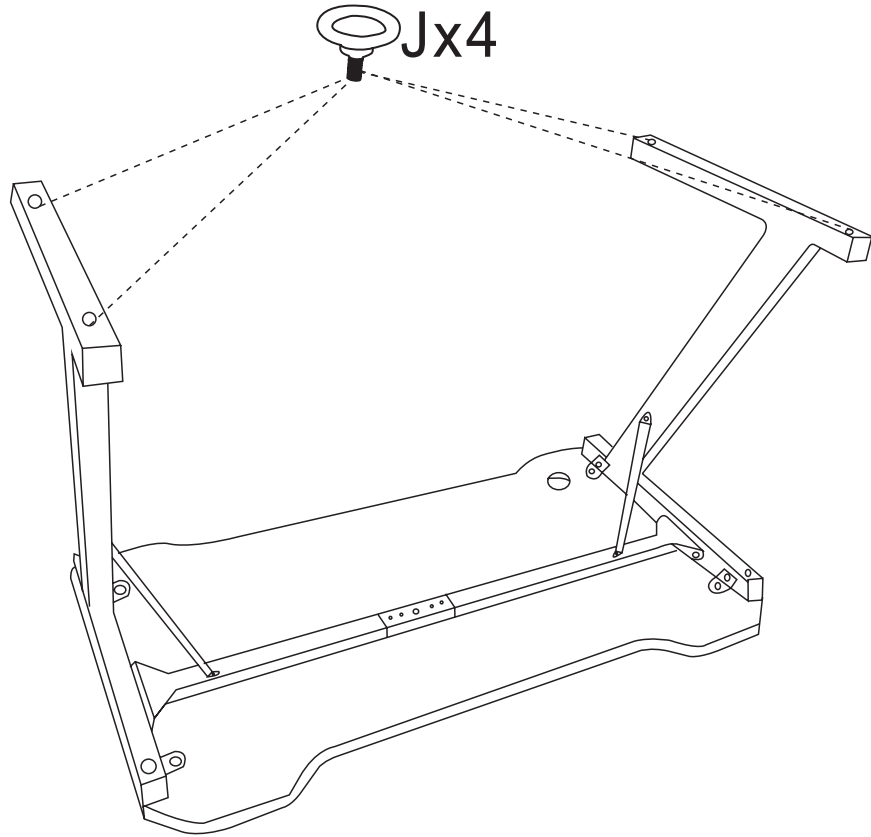
5



6



7



8

