
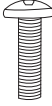
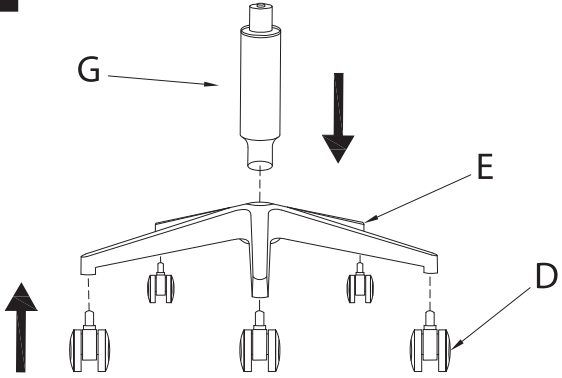
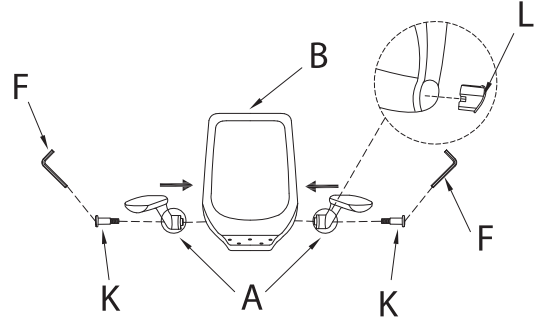
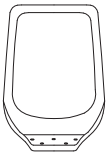

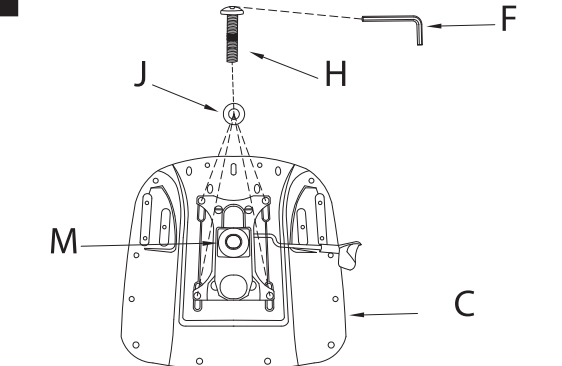
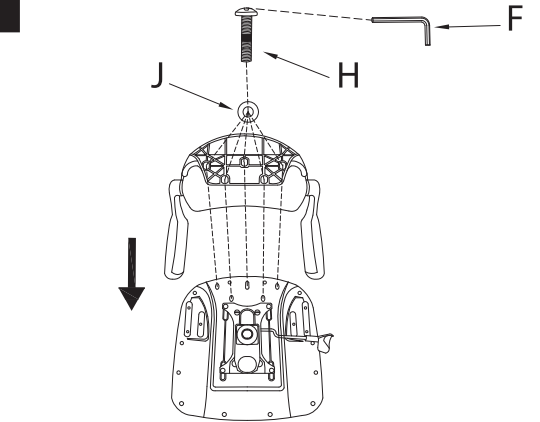
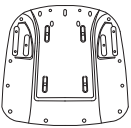
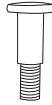
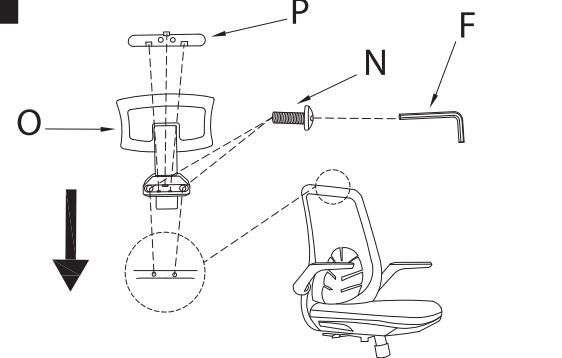

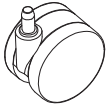


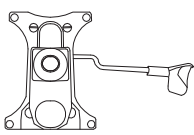

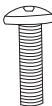
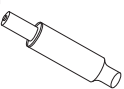
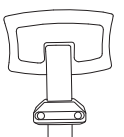
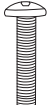



i-Care LEAF

ASSEMBLY / MONTAGE / ASAMBLEA / MONTAGE / MONTAGE / CONJUNTO / ASSEMBLAGIO



WWW.SUBSONIC.COM

<p>A x 2</p> 	<p>I x 4</p> <p>6*35</p> 	<p>1</p> 	<p>2</p> 
<p>B x 1</p> 	<p>J x 9</p> <p>6*16</p> 	<p>3</p> 	<p>4</p> 
<p>C x 1</p> 	<p>K x 2</p> <p>8*33</p> 	<p>5</p> 	<p>6</p> 
<p>D x 5</p> 	<p>L x 2</p> 		
<p>E x 1</p> 	<p>M x 1</p> 		
<p>F x 1</p> 	<p>N x 2</p> <p>6*25</p> 		
<p>G x 1</p> 	<p>O x 1</p> 		
<p>H x 5</p> <p>6*45</p> 	<p>P x 1</p> 		

CONTACT & SUPPORT



SUBSONIC

314, allée des noisetiers

69760 Limonest - France

contact@subsonic.com

www.subsonic.com